



P. 34



P. 36



P. 38



P. 39



P. 42



P. 43



P. 44



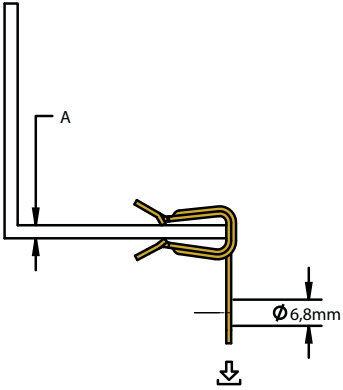
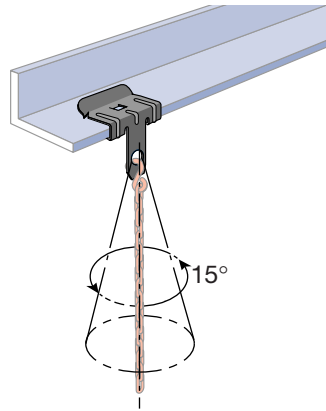
P. 47



H



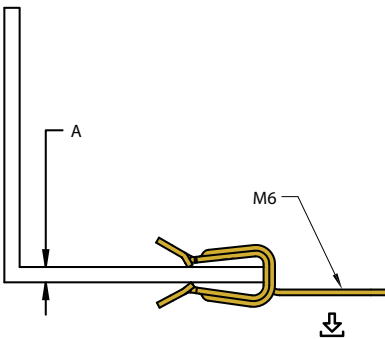
			A (mm)			
P21						
170010	2H4	2 - 3	100	-	-	700 N
170020	4H24	3 - 8	100	-	-	900 N
170030	4H58	8 - 14	100	-	-	900 N
170040	4H912	14 - 20	100	-	-	900 N
P2						
172320	4H24	3 - 8	250	10x25	-	900 N
172350	4H58	8 - 14	250	10x25	-	900 N
172380	4H912	14 - 20	250	10x25	-	900 N
179610	4H24-2	3 - 8	100	-	-	650 N
179620	4H58-2	8 - 14	100	-	-	650 N
179630	4H912-2	14 - 20	100	-	-	650 N



H-I



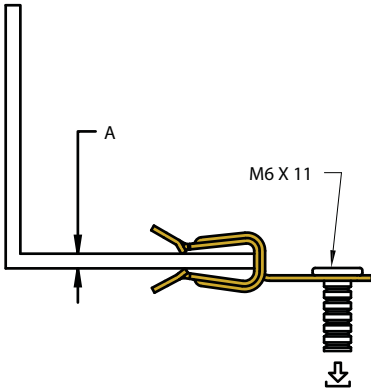
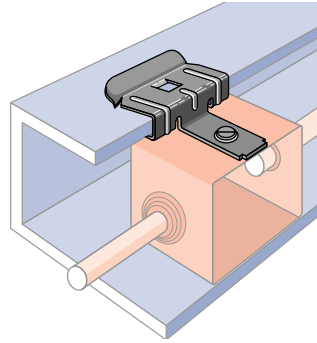
			A (mm)	P		
170150	4H24i	3 - 8	P21	100	-	150 N
170250	4H58i	8 - 14	P21	100	-	150 N



H-IX



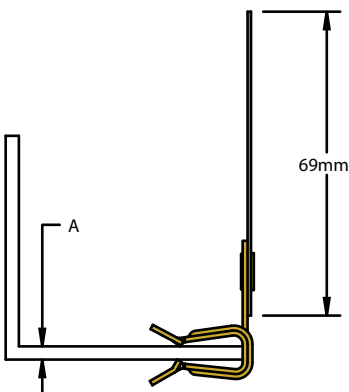
Icon	Icon	A (mm)	P	Icon	Icon
170140	4H24iX	3 - 8	P21	100	150 N
170160	4H58iX	8 - 14	P21	100	150 N



H-ST3



Icon	Icon	A (mm)	Icon	Icon
P21				
173420	2H4ST3	2 - 3	100	-
171500	4H24ST3	3 - 8	100	-
171530	4H58ST3	8 - 14	100	-
171640	4H912ST3	14 - 20	100	-
172340	4H24ST3	3 - 8	250	10x25
172370	4H58ST3	8 - 14	250	10x25
172400	4H912ST3	14 - 20	250	10x25
P2				
171480	4H24ST3-2	3 - 8	100	-
171540	4H58ST3-2	8 - 14	100	-
171550	4H912ST3-2	14 - 20	100	-



H-CA/CB



🌐	📖	Fig. #	A (mm)	Ø (mm)	P	📦
170460	2H4/1012A	1	2 - 3	10.9-13	P21	100
170470	2H4/1214A	1	2 - 3	12.4-16	P21	100
170480	4H24/1012A	1	3 - 8	10.9-13	P21	100
170630	4H24/1214A	1	3 - 8	12.4-16	P21	100
170830	2H4/1012B	2	2 - 3	10.9-13	P21	100
170840	2H4/1214B	2	2 - 3	12.4-16	P21	100
170640	4H24/1214B	2	3 - 8	12.4-16	P21	100
170850	4H24/1012B	2	3 - 8	10.9-13	P21	100



Fig. #1

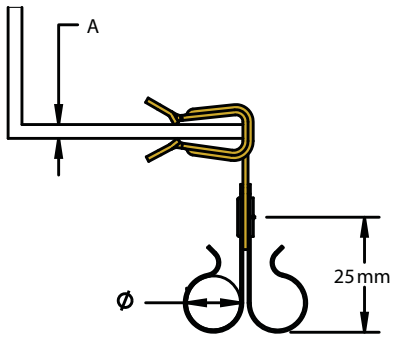
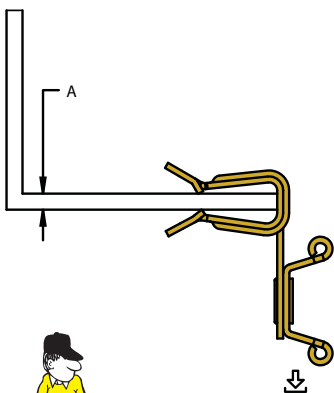
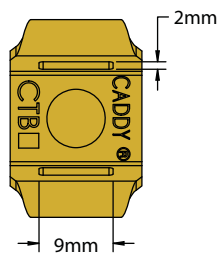


Fig. #2

H-CT



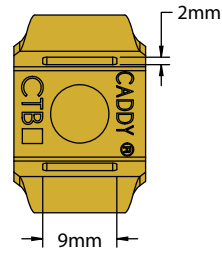
🌐	📖	A (mm)	📦	📦	⬇️
P21					
178510	2H4CT	2 - 3	100	-	150 N
178520	4H24CT	3 - 8	100	-	150 N
178530	4H58CT	8 - 14	100	-	150 N
178540	4H912CT	14 - 20	100	-	150 N
P2					
172330	4H24CT-2	3 - 8	250	10x25	150 N
172360	4H58CT-2	8 - 14	250	10x25	150 N
172390	4H912CT-2	14 - 20	250	10x25	150 N
160500	4H24CT-2	3 - 8	100	-	150 N
170430	4H58CT-2	8 - 14	100	-	150 N
170700	4H912CT-2	14 - 20	100	-	150 N



H-CTIN



🌐	📖	A (mm)	P	📦	⬇️
178550	2H4CTIN	2 - 3	P21	100	150 N
160470	4H24CTIN	3 - 8	P21	100	150 N
160480	4H58CTIN	8 - 14	P21	100	150 N
160490	4H912CTIN	14 - 20	P21	100	150 N



H-CTB



🌐	📖	Fig. #	A (mm)	B (mm)	📦	⬇️
P21						
170170	2H4CTBW	1	2 - 3	10 - 70	100	150 N
170180	4H24CTBW	1	3 - 8	10 - 70	100	150 N
170190	4H58CTBW	1	8 - 14	10 - 70	100	150 N
170200	4H912CTBW	1	14 - 20	10 - 70	100	150 N
170210	2H4CTBB	2	2 - 3	10 - 70	100	150 N
170220	4H24CTBB	2	3 - 8	10 - 70	100	150 N
170240	4H58CTBB	2	8 - 14	10 - 70	100	150 N
170260	4H912CTBB	2	14 - 20	10 - 70	100	150 N
P2						
170280	4H24CTBR-2	3	3 - 8	25 - 51	100	300 N
170300	4H58CTBR-2	3	8 - 14	25 - 51	100	300 N
170310	4H912CTBR-2	3	14 - 20	25 - 51	100	650 N

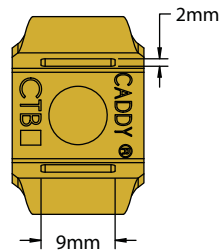
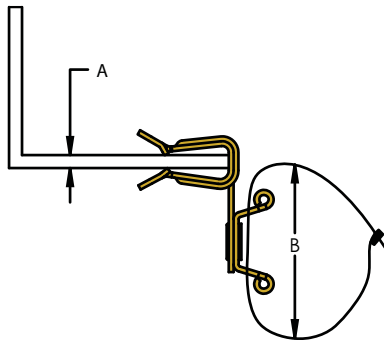


Fig. #1



Fig. #2

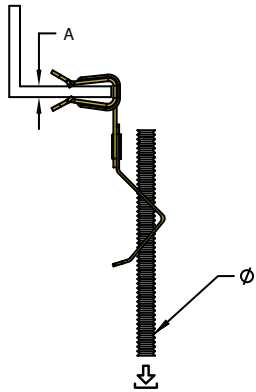


Fig. #3

H-MA



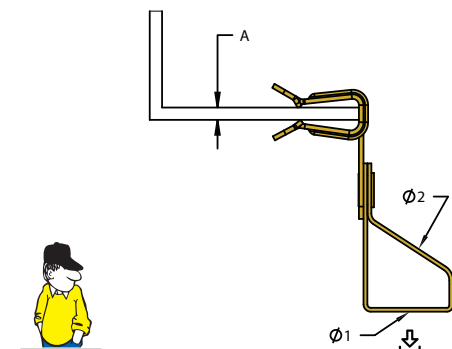
🌐	📖	A (mm)	Ø	P	📦	⬇️
173230	M6MA4	2 - 3	M6	P21	100	600 N
173240	M6MA24	3 - 8	M6	P21	100	600 N
173250	M6MA58	8 - 14	M6	P21	100	600 N
173260	M6MA912	14 - 20	M6	P21	100	600 N
173270	M8MA4	2 - 3	M8	P21	100	700 N
173280	M8MA24	3 - 8	M8	P21	100	700 N
173290	M8MA58	8 - 14	M8	P21	100	700 N
173300	M8MA912	14 - 20	M8	P21	100	700 N
173310	M10MA4	2 - 3	M10	P21	100	700 N
173320	M10MA24	3 - 8	M10	P21	100	700 N
173330	M10MA58	8 - 14	M10	P21	100	700 N
173340	M10MA912	14 - 20	M10	P21	100	700 N



H-Ti/T



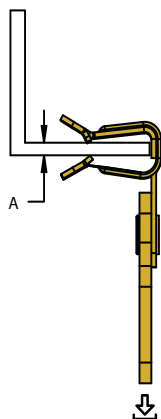
🌐	📖	A (mm)	Ø 1	Ø 2 (mm)	P	📦	📦	⬇️
174810	M6Ti4	2 - 3	M6	11x15	P21	100	-	700 N
174820	M6Ti24	3 - 8	M6	11x15	P21	100	-	900 N
174830	M6Ti58	8 - 14	M6	11x15	P21	100	-	900 N
174840	M6Ti912	14 - 20	M6	11x15	P21	100	-	900 N
174900	M8Ti4	2 - 3	M8	11x15	P21	100	-	700 N
174910	M8Ti24	3 - 8	M8	11x15	P21	100	-	900 N
174920	M8Ti58	8 - 14	M8	11x15	P21	100	-	900 N
174930	M8Ti912	14 - 20	M8	11x15	P21	100	-	900 N
174990	M10Ti4	2 - 3	M10	11x15	P21	100	-	700 N
175000	M10Ti24	3 - 8	M10	11x15	P21	100	-	900 N
175010	M10Ti58	8 - 14	M10	11x15	P21	100	-	900 N
175020	M10Ti912	14 - 20	M10	11x15	P21	100	-	900 N
175860	M6Ti24	3 - 8	M6	11x15	P21	250	10x25	900 N
175870	M6Ti58	8 - 14	M6	11x15	P21	250	10x25	900 N
160000	Ti04	2 - 3	11 mm	11x15	P21	100	-	700 N
160010	Ti024	3 - 8	11 mm	11x15	P21	100	-	900 N
160020	Ti058	8 - 14	11 mm	11x15	P21	100	-	900 N
160030	Ti0912	14 - 20	11 mm	11x15	P21	100	-	900 N



H-S



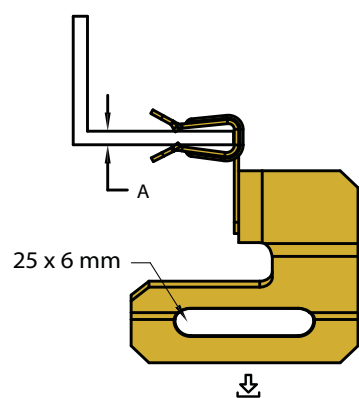
Icon	Icon	A (mm)	P	Icon	Icon
175480	S4	2 - 3	P21	100	700 N
172030	S24	3 - 8	P21	100	900 N
171760	S58	8 - 14	P21	100	900 N
171770	S912	14 - 20	P21	100	900 N



H-SR



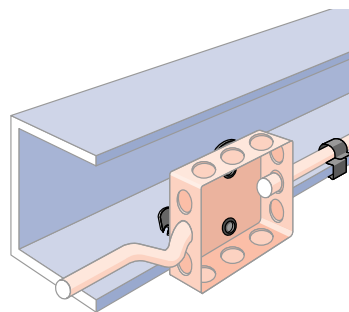
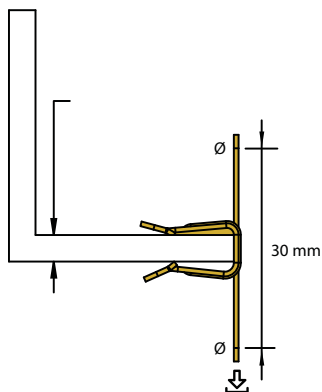
Icon	Icon	A (mm)	P	Icon	Icon
175540	SR4	2 - 3	P21	100	700 N
171810	SR24	3 - 8	P21	100	900 N
175550	SR58	8 - 14	P21	100	900 N
172020	SR912	14 - 20	P21	100	900 N



H-DI



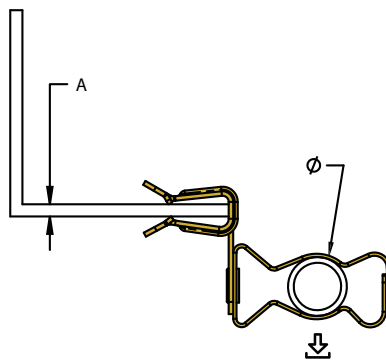
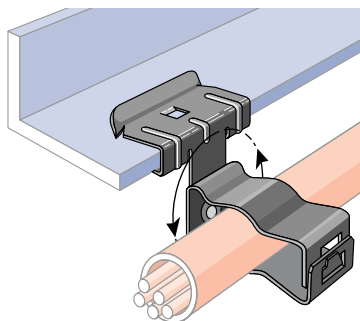
Icon	Icon	A (mm)	Ø (mm)	P	Icon	Icon
350000	4H24Di	3 - 6	5.1	P21	100	150 N



H-MSM



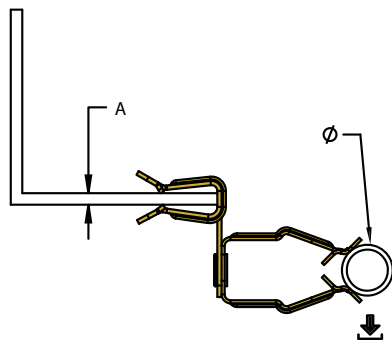
Icon	Icon	A (mm)	Ø (mm)	Icon	Icon
P21					
173630	6M4SM	2 - 3	14-18	100	120 N
173640	6M24SM	3 - 8	14-18	100	120 N
171980	6M58SM	8 - 14	14-18	100	120 N
173650	6M912SM	14 - 20	14-18	100	120 N
160040	812M4SM	2 - 3	18-30	100	120 N
160050	812M24SM	3 - 8	18-30	100	120 N
160060	812M58SM	8 - 14	18-30	100	120 N
160070	812M912SM	14 - 20	18-30	100	120 N
173710	16M4SM	2 - 3	30-35	100	120 N
173720	16M24SM	3 - 8	30-35	100	120 N
173730	16M58SM	8 - 14	30-35	100	120 N
173740	16M912SM	14 - 20	30-35	50	120 N
173750	20M4SM	2 - 3	35-42	50	120 N
171720	20M24SM	3 - 8	35-42	100	120 N
173770	20M58SM	8 - 14	35-42	100	120 N
173780	20M912SM	14 - 20	35-42	100	120 N
173790	24M4SM	2 - 3	42-50	50	120 N
176690	24M24SM	3 - 8	42-50	50	120 N
173800	24M58SM	8 - 14	42-50	50	120 N
173810	24M912SM	14 - 20	42-50	50	120 N
173820	32M4SM	2 - 3	50-60	50	120 N
173830	32M24SM	3 - 8	50-60	50	120 N
173840	32M58SM	8 - 14	50-60	50	120 N
173850	32M912SM	14 - 20	50-60	50	120 N
P2					
179650	8M24SM-2	3 - 8	18-22	100	90 N
179660	8M58SM-2	8 - 14	18-22	100	90 N
179670	8M912SM-2	14 - 20	18-22	100	90 N
179690	12M24SM-2	3 - 8	22-30	100	90 N
179700	12M58SM-2	8 - 14	22-30	100	90 N
179710	12M912SM-2	14 - 20	22-30	100	90 N



H-PSM



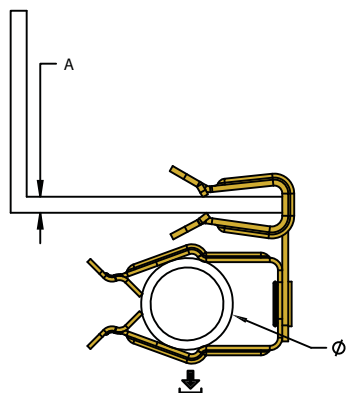
🌐	📖	A (mm)	∅ (mm)	P	📦	↓
175170	8P4SM	2 - 3	18-22	P21	100	70 N
175180	8P24SM	3 - 8	18-22	P21	100	70 N
175190	8P58SM	8 - 14	18-22	P21	100	70 N
175200	8P912SM	14 - 20	18-22	P21	100	70 N
175210	12P4SM	2 - 3	22-30	P21	100	70 N
175220	12P24SM	3 - 8	22-30	P21	100	70 N
175230	12P58SM	8 - 14	22-30	P21	100	70 N
175240	12P912SM	14 - 20	22-30	P21	50	70 N
175250	16P4SM	2 - 3	30-35	P21	100	70 N
175260	16P24SM	3 - 8	30-35	P21	100	70 N
175270	16P58SM	8 - 14	30-35	P21	100	70 N
175280	16P912SM	14 - 20	30-35	P21	50	70 N



H-PIN

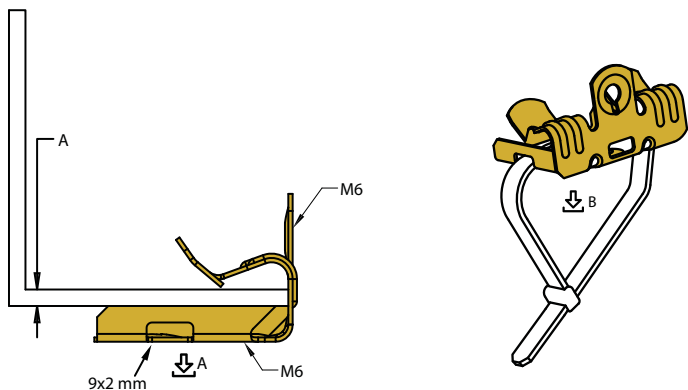


🌐	📖	A (mm)	∅ (mm)	P	📦	↓
175290	8P4iN	2 - 3	18-22	P21	100	70 N
175300	8P24iN	3 - 8	18-22	P21	100	70 N
175310	8P58iN	8 - 14	18-22	P21	100	70 N
175320	12P4iN	2 - 3	22-30	P21	100	70 N
175330	16P4iN	2 - 3	30-35	P21	100	70 N

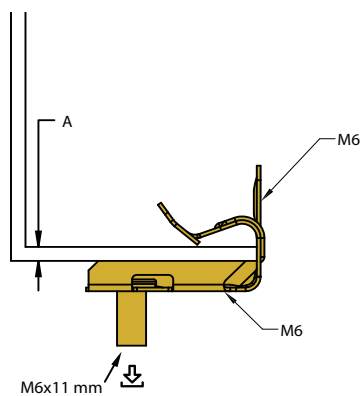
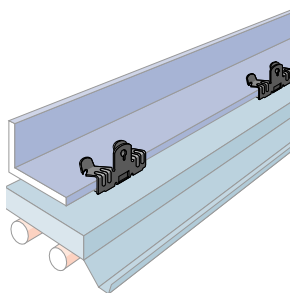




		A (mm)			↓ A	↓ B
P21						
170050	EM24	3 - 8	100	-	450	150
170060	EM58	8 - 14	100	-	450	150
170070	EM912	14 - 20	100	-	450	150
172170	EM24	3 - 8	250	10x25	450	150
172180	EM58	8 - 14	250	10x25	450	150
175760	EM912	14 - 20	250	10x25	450	150
P2						
179720	EM24-2	3 - 8	100	-	450	150
179730	EM58-2	8 - 14	100	-	450	150
179740	EM912-2	14 - 20	100	-	450	150



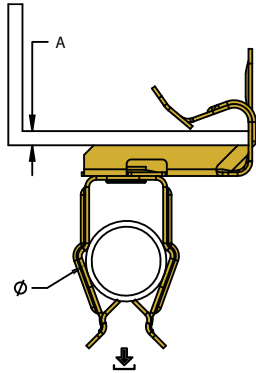
		A (mm)			↓
P21					
170530	EM24SM	3 - 8	100	-	330 N
172060	EM58SM	8 - 14	100	-	330 N
171850	EM912SM	14 - 20	100	-	330 N
160440	EM24SM16	3 - 8	100	-	330 N
160450	EM58SM16	8 - 14	100	-	330 N
160460	EM912SM16	14 - 20	100	-	330 N
172220	EM24SM16	3 - 8	100	10x10	330 N
172230	EM58SM16	8 - 14	100	10x10	330 N
172240	EM912SM16	14 - 20	100	10x10	330 N
P2					
179750	EM24SM-2	3 - 8	100	-	200 N
179760	EM58SM-2	8 - 14	100	-	200 N
179770	EM912SM-2	14 - 20	100	-	200 N



EM-P



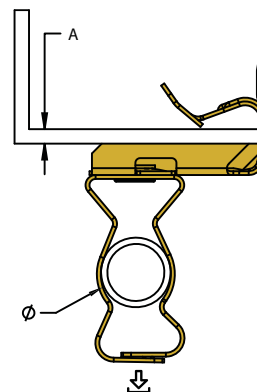
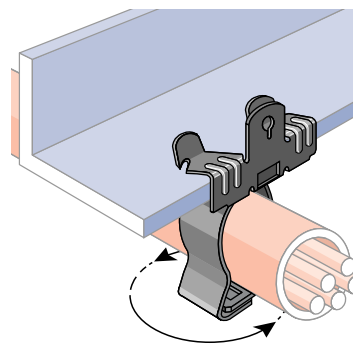
🌐	📖	A (mm)	Ø (mm)	P	📦	↓
172150	8EP24	3 - 8	18-22	P21	100	110 N
172160	8EP58	8 - 14	18-22	P21	100	110 N
175100	8EP912	14 - 20	18-22	P21	50	110 N
175110	12EP24	3 - 8	22-30	P21	100	110 N
175120	12EP58	8 - 14	22-30	P21	100	110 N
175130	12EP912	14 - 20	22-30	P21	50	110 N
175140	16EP24	3 - 8	30-35	P21	100	110 N
175150	16EP58	8 - 14	30-35	P21	50	110 N
175160	16EP912	14 - 20	30-35	P21	50	110 N



EM-M



🌐	📖	A (mm)	Ø (mm)	P	📦	↓
P21						
173550	6EM24	3 - 8	14-18	P21	100	330 N
171750	6EM58	8 - 14	14-18	P21	100	330 N
173560	6EM912	14 - 20	14-18	P21	50	330 N
160120	812EM24	3 - 8	18-30	P21	50	330 N
160130	812EM58	8 - 14	18-30	P21	50	330 N
160140	812EM912	14 - 20	18-30	P21	50	330 N
171740	16EM24	3 - 8	30-35	P21	50	330 N
171490	16EM58	8 - 14	30-35	P21	50	330 N
173570	16EM912	14 - 20	30-35	P21	50	330 N
171800	20EM24	3 - 8	35-42	P21	50	330 N
171950	20EM58	8 - 14	35-42	P21	50	330 N
173580	20EM912	14 - 20	35-42	P21	50	330 N
171960	24EM24	3 - 8	42-50	P21	50	330 N
171970	24EM58	8 - 14	42-50	P21	50	330 N
173590	24EM912	14 - 20	42-50	P21	50	330 N
173600	32EM24	3 - 8	50-60	P21	50	330 N
173610	32EM58	8 - 14	50-60	P21	50	330 N
173620	32EM912	14 - 20	50-60	P21	50	330 N
P2						
179780	8EM24-2	3 - 8	18-22	P2	100	200 N
179790	8EM58-2	8 - 14	18-22	P2	50	200 N
179800	8EM912-2	14 - 20	18-22	P2	50	200 N
179810	12EM24-2	3 - 8	22-30	P2	50	200 N
179820	12EM58-2	8 - 14	22-30	P2	50	200 N
179830	12EM912-2	14 - 20	22-30	P2	50	200 N

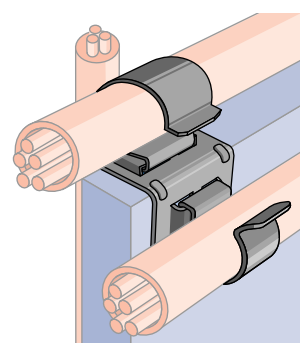
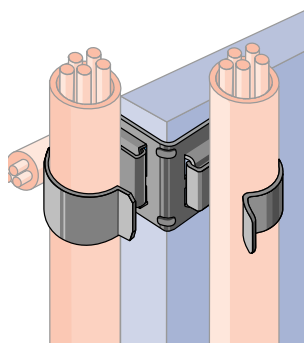
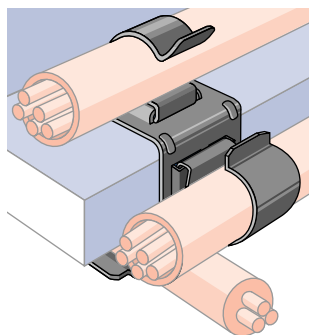
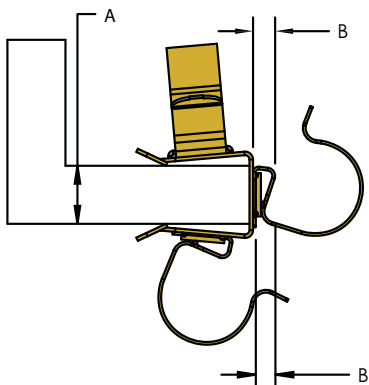




🌐	📖	A (mm)	Ø (mm)	P	📦
187510	24SC67	2 - 4	6 - 7	P21	100
187710	24SC78	2 - 4	7 - 8	P21	100
187530	24SC89	2 - 4	8 - 9	P21	100
187750	24SC910	2 - 4	9 - 10	P21	100
187550	24SC1011	2 - 4	10 - 11	P21	100
187570	24SC1214	2 - 4	12 - 14	P21	100
187590	24SC1518	2 - 4	15 - 18	P21	100
187610	24SC1924	2 - 4	19 - 24	P21	100
187630	24SC2530	2 - 4	25 - 32	P21	100
187500	47SC67	4 - 7	6 - 7	P21	100
187720	47SC78	4 - 7	7 - 8	P21	100
187520	47SC89	4 - 7	8 - 9	P21	100
187760	47SC910	4 - 7	9 - 10	P21	100
187540	47SC1011	4 - 7	10 - 11	P21	100
187560	47SC1214	4 - 7	12 - 14	P21	100
187580	47SC1518	4 - 7	15 - 18	P21	100
187600	47SC1924	4 - 7	19 - 24	P21	100
187620	47SC2530	4 - 7	25 - 32	P21	100
187640	812SC67	8 - 12	6 - 7	P21	100
187730	812SC78	8 - 12	7 - 8	P21	100
187650	812SC89	8 - 12	8 - 9	P21	100
187770	812SC910	8 - 12	9 - 10	P21	100
187660	812SC1011	8 - 12	10 - 11	P21	100
187670	812SC1214	8 - 12	12 - 14	P21	100
187680	812SC1518	8 - 12	15 - 18	P21	100
187690	812SC1924	8 - 12	19 - 24	P21	100
187700	812SC2530	8 - 12	25 - 32	P21	100

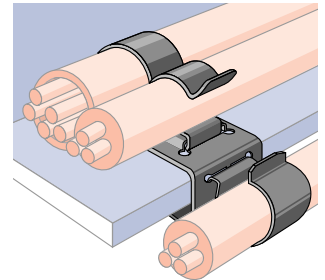
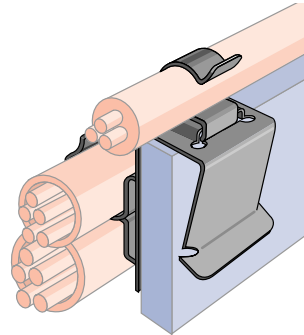
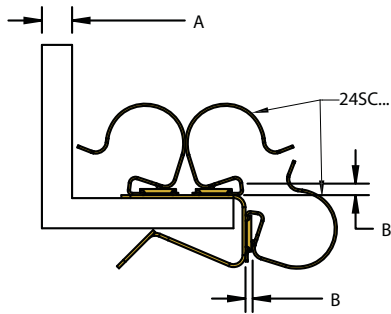


🌐	📖	A (mm)	B (mm)	P	📦
160510	SCA	13 - 20	2 - 4	P21	100

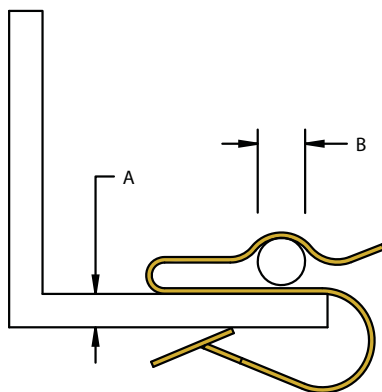




Icon	Icon	A (mm)	B (mm)	P	Icon	Icon
188080	SCB312	3 - 12	2 - 4	P21	100	-
188090	SCB1220	12 - 20	2 - 4	P21	100	-
172470	SCB312	3 - 12	2 - 4	P21	250	10x25
172480	SCB1220	12 - 20	2 - 4	P21	250	10x25

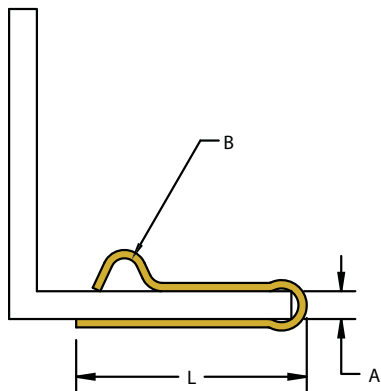


Icon	Icon	A (mm)	B (mm)	P	Icon
187440	HK21	1.5 - 4.5	4.2 - 6.5	P1	100
187450	HK22	4.0 - 8.0	4.2 - 6.5	P1	100
187460	HK23	8.0 - 11.0	4.2 - 6.5	P1	100





🌐	📖	A (mm)	B (mm)	L (mm)	P	📦
188190	87182	5	10	40	P1	100
188200	87186	6	8	65	P1	100



LF



🌐	📖	Fig. #	A (mm)	L (mm)	P	📦
187400	LF2	1	5 - 12	45	P1	100
187410	LF3	1	12 - 20	53	P1	100
187420	LF4	2	3 - 6	42	P1	100
187430	LF5	2	6 - 12	49	P1	100

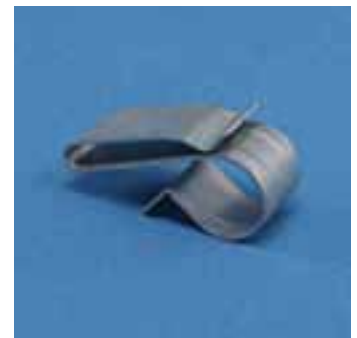
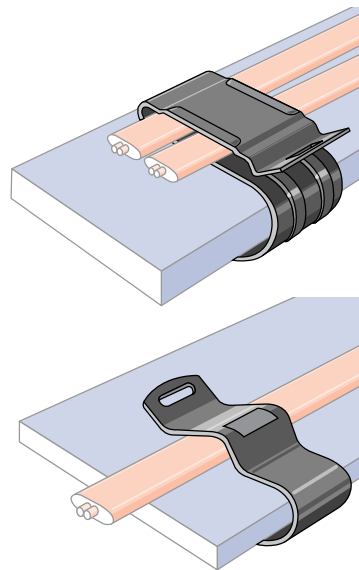
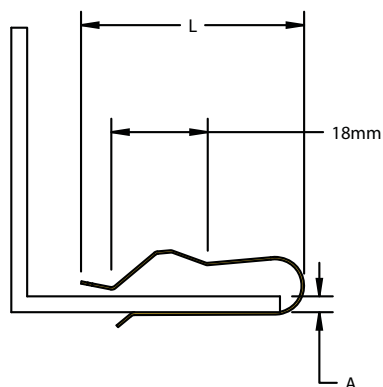
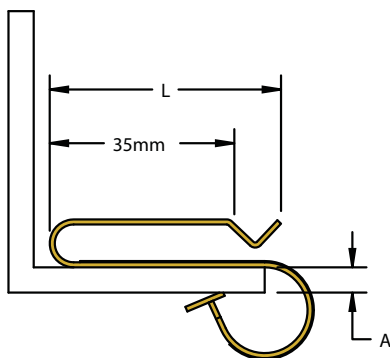


Fig. #1

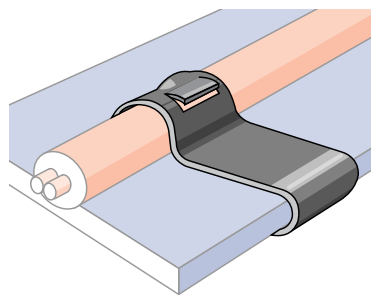
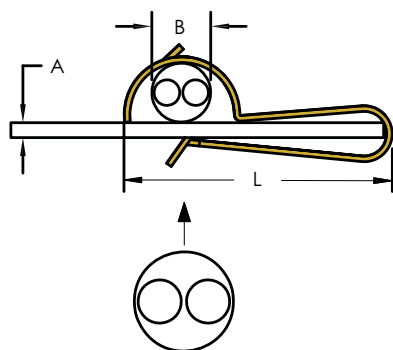


Fig. #2





Icon	Code	A (mm)	B (mm)	L (mm)	P	Icon
🌐	LR1	3 - 6	8 - 15	36	P1	📦
📖	LR2	6 - 12	8 - 15	36	P1	📦



Icon	Code	A (mm)	B (mm)	L (mm)	P	Icon
🌐	LB3B	12 - 20	<8	52	P1	📦

